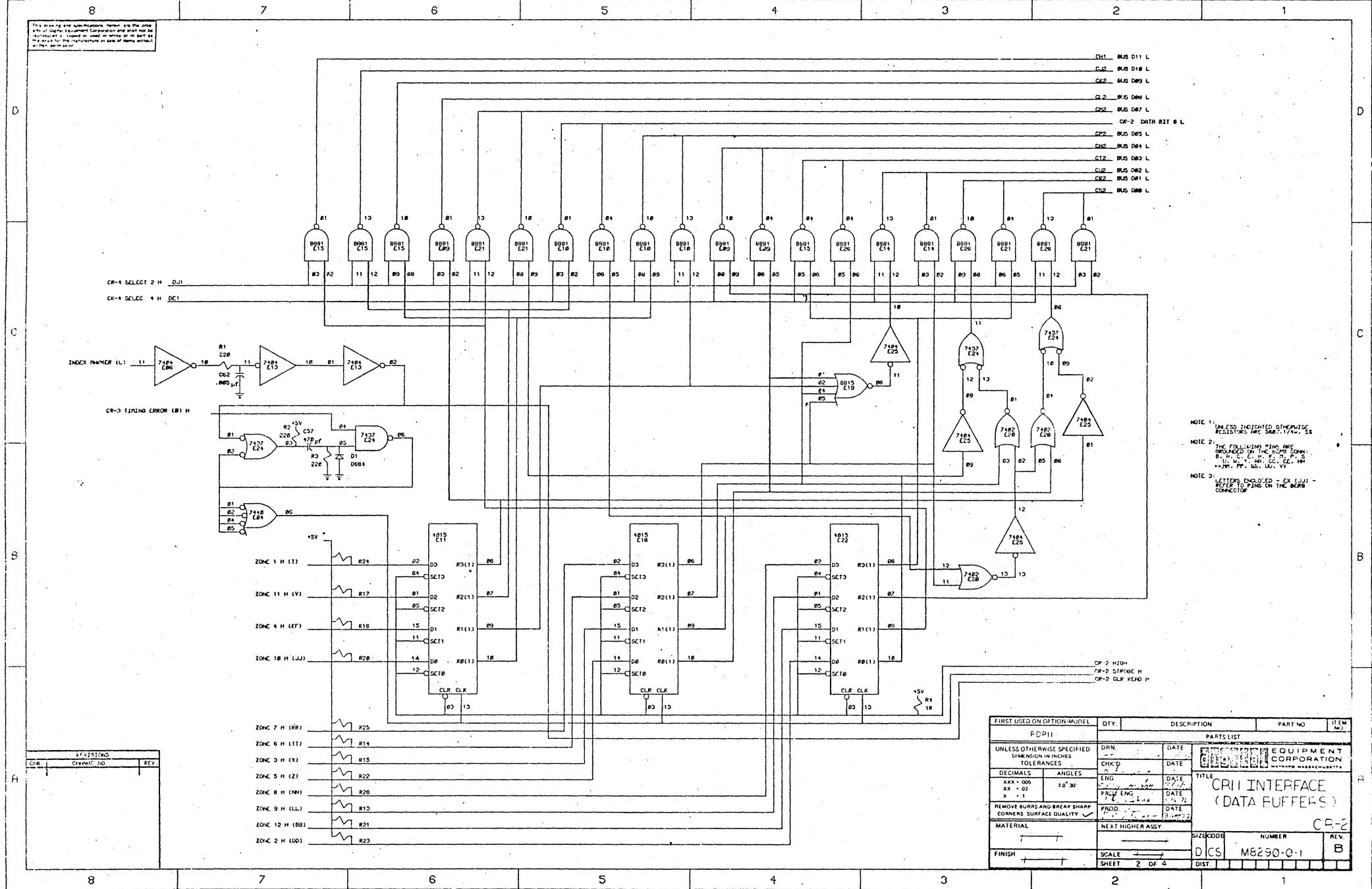
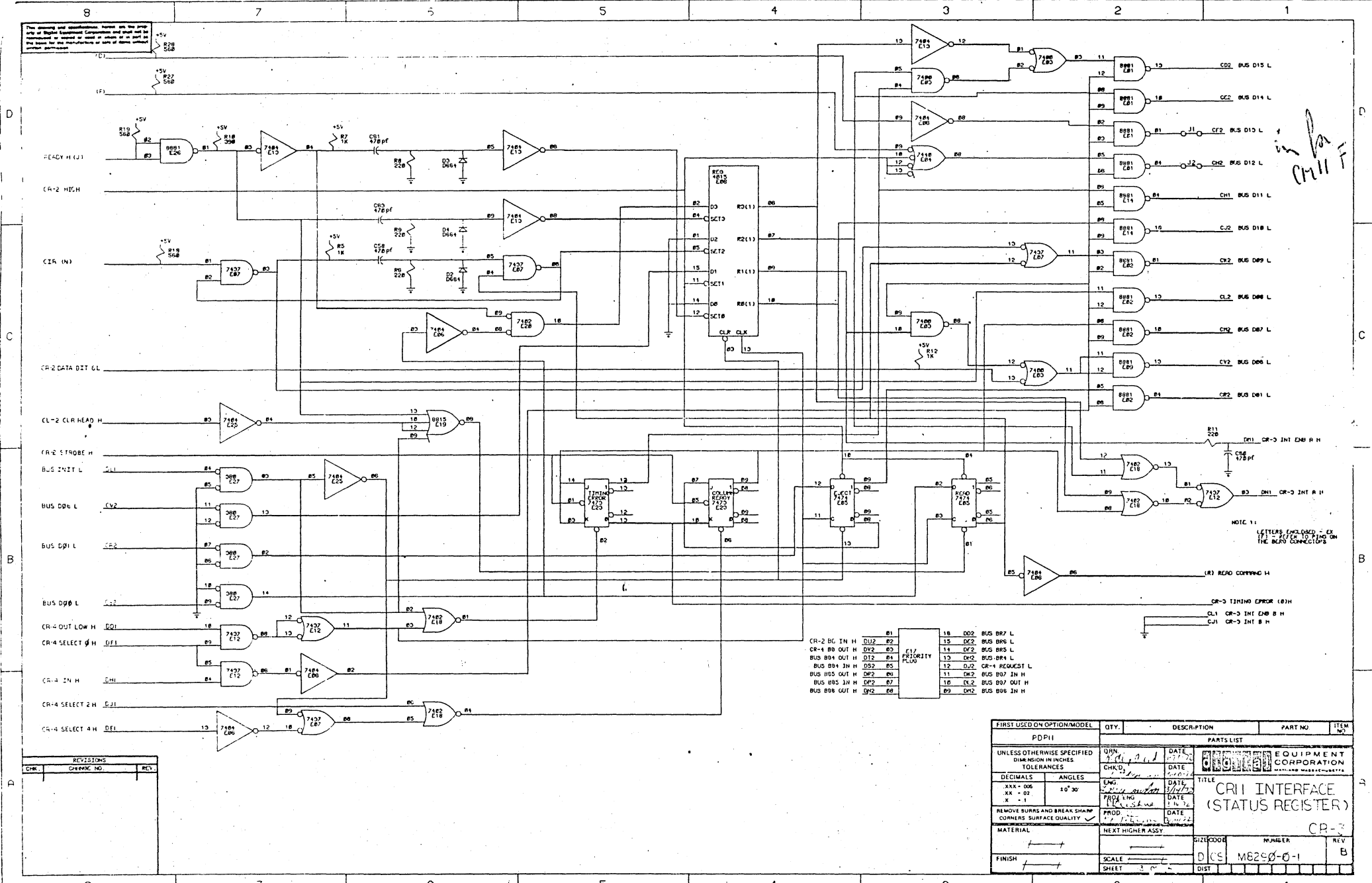


This drawing and specifications herein are the property of the Raytheon Company and shall not be reproduced or used in whole or in part as a basis for the manufacture or sale of items without the prior permission of Raytheon.



- NOTE 1: UNLESS OTHERWISE SPECIFIED, REGISTERED AND UNREGISTERED.
- NOTE 2: THE FOLLOWING PARTS ARE PROVIDED BY THE SUPPLIER: 7400, 7401, 7402, 7403, 7404, 7405, 7406, 7407, 7408, 7409, 7410, 7411, 7412, 7413, 7414, 7415, 7416, 7417, 7418, 7419, 7420, 7421, 7422, 7423, 7424, 7425, 7426, 7427, 7428, 7429, 7430, 7431, 7432, 7433, 7434, 7435, 7436, 7437, 7438, 7439, 7440, 7441, 7442, 7443, 7444, 7445, 7446, 7447, 7448, 7449, 7450, 7451, 7452, 7453, 7454, 7455, 7456, 7457, 7458, 7459, 7460, 7461, 7462, 7463, 7464, 7465, 7466, 7467, 7468, 7469, 7470, 7471, 7472, 7473, 7474, 7475, 7476, 7477, 7478, 7479, 7480, 7481, 7482, 7483, 7484, 7485, 7486, 7487, 7488, 7489, 7490, 7491, 7492, 7493, 7494, 7495, 7496, 7497, 7498, 7499, 7500.
- NOTE 3: LETTERS ENCLOSED - EX (E) - REFER TO PINS ON THE BUS CONNECTOR.

FIRST USED ON OPTION MODEL		QTY.	DESCRIPTION	PART NO.	ITEM NO.
PDP11					
UNLESS OTHERWISE SPECIFIED DIMENSIONS IN INCHES TOLERANCES		DRN	DATE	PARTS LIST	
DECIMALS		CHK'D	DATE	RAYTHEON COMPANY	
ANGLES		ENG	DATE	TITLE	
xxx - 005		PRD	DATE	CR1 INTERFACE	
xx - 00		PROD	DATE	(DATA BUFFERS)	
x - 1		REMOVE BURRS AND BREAK SHARP CORNERS SURFACE QUALITY	DATE	CR-2	
MATERIAL		NEXT HIGHER ASSY	DATE	SIZE CODE	
FINISH		SCALE	DATE	NUMBER	
		SHEET 2 OF 4	DATE	REV.	
				DCS M8290-0-1 B	
				DIST.	



in for CR-1 F

NOTE 1:
LETTERS ENCLOSED - EX-111-111-111 TO PINS ON THE BUSY CONNECTORS

- CR-2 BC IN H D02 E2
- CR-4 BB OUT H D02 E3
- BUS B04 OUT H D12 E4
- BUS B04 IN H D02 E5
- BUS B05 OUT H D02 E6
- BUS B05 IN H D02 E7
- BUS B06 OUT H D02 E8
- 16 D02 BUS B07 L
- 15 D02 BUS B06 L
- 14 D02 BUS B05 L
- 13 D02 BUS B04 L
- 12 D02 CR-1 REQUEST L
- 11 D02 BUS B07 IN H
- 10 D02 BUS B07 OUT H
- 09 D02 BUS B06 IN H

REVISIONS		
CHR.	CHK. NO.	REV.

FIRST USED ON OPTION/MODEL	QTY.	DESCRIPTION	PART NO.	ITEM
PDP11				
PARTS LIST				
UNLESS OTHERWISE SPECIFIED	DRN	DATE		
DIMENSION IN INCHES	CHKD	DATE		
TOLERANCES			CR-1 INTERFACE (STATUS REGISTER)	
DECIMALS ANGLES				
XXX - 006		10° 30'	CR-3	
.XX - 02				
X - 1			CR-3	
REMOVE BURRS AND BREAK SHARP EDGES TO SURFACE QUALITY			CR-3	
MATERIAL				
FINISH			CR-3	
NEXT HIGHER ASSY		SIZE CODE	MANAGER	REV.
SCALE		DIMS	M8290-0-1	B
SHEET		DIST		